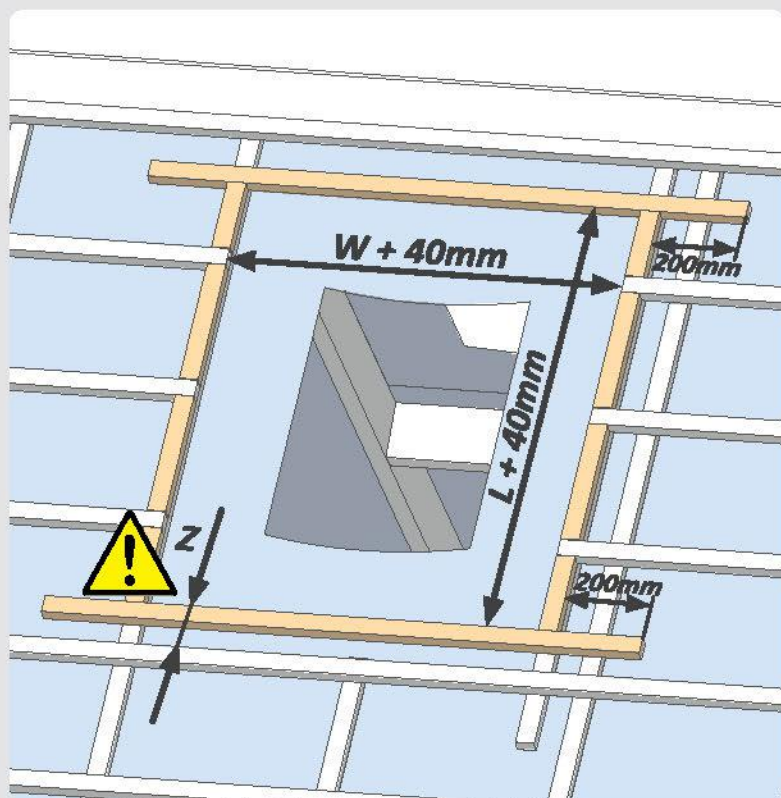
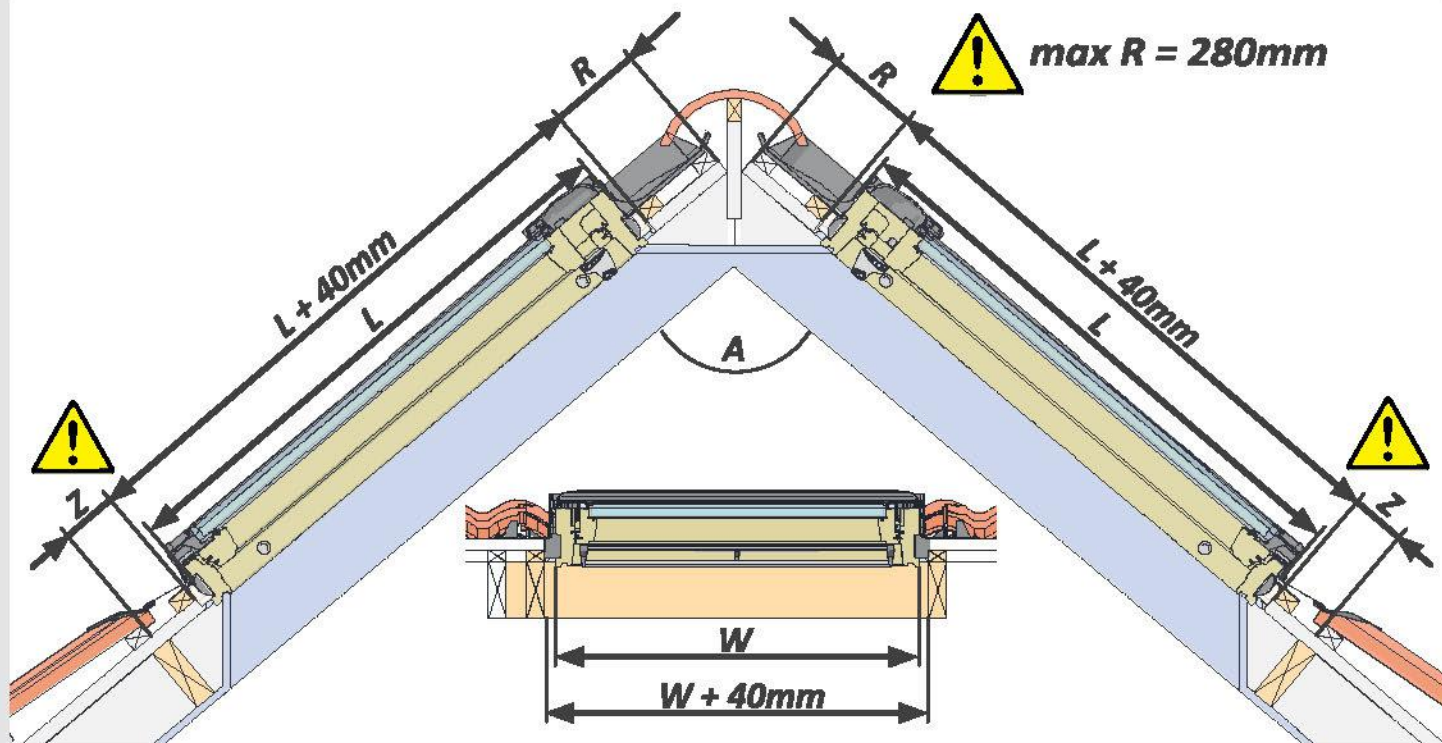
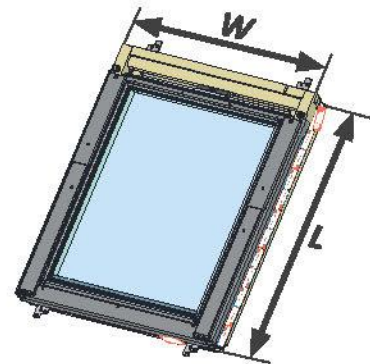
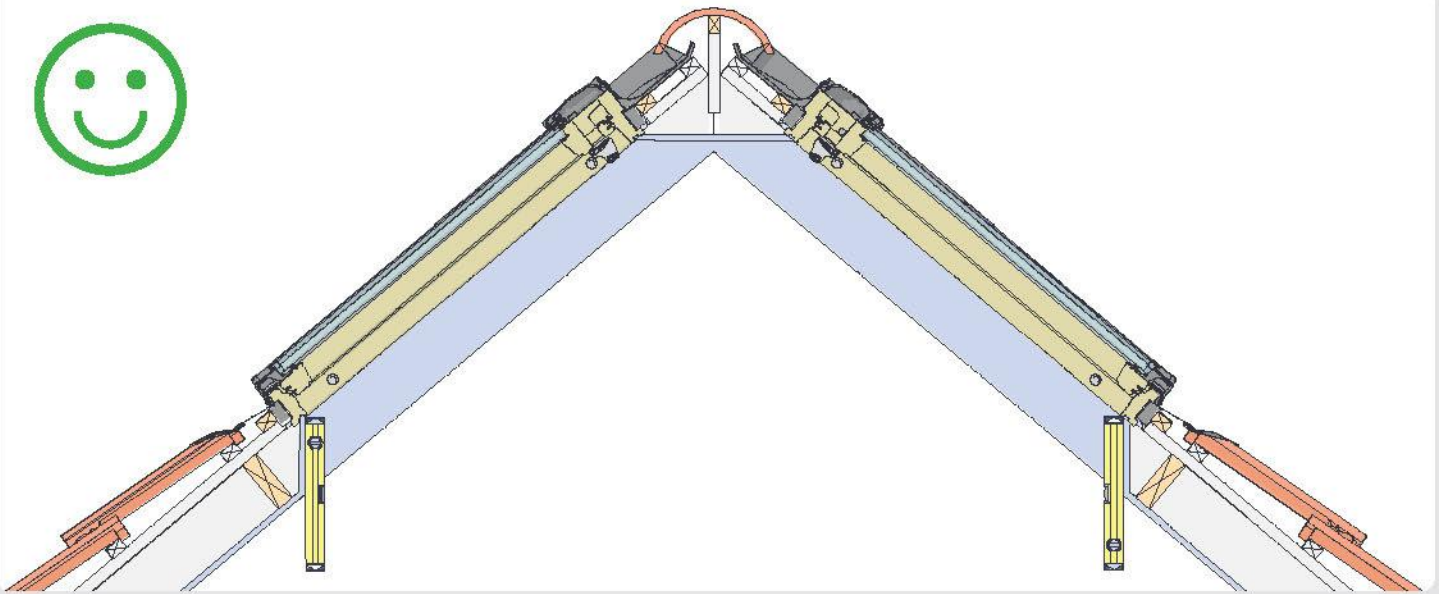
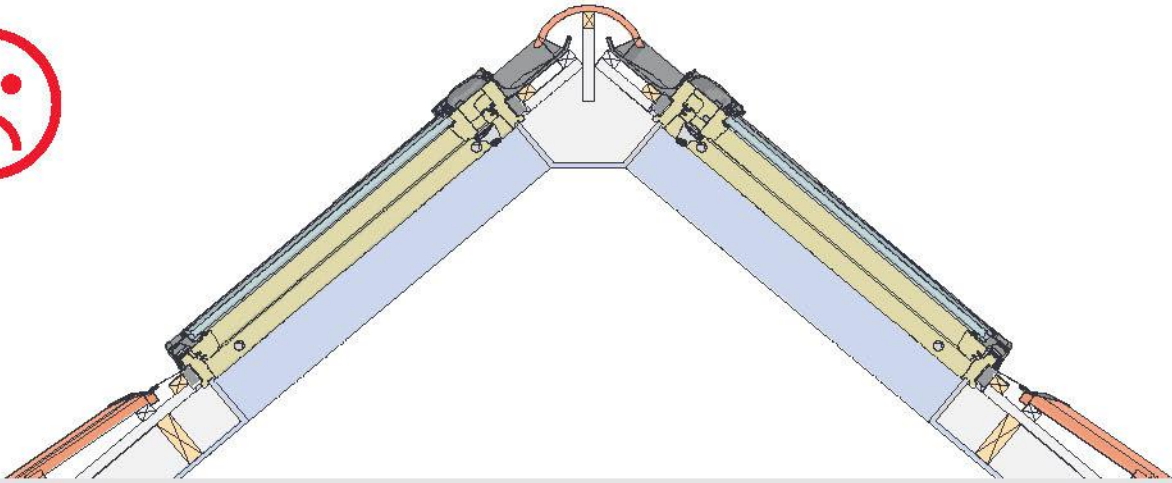


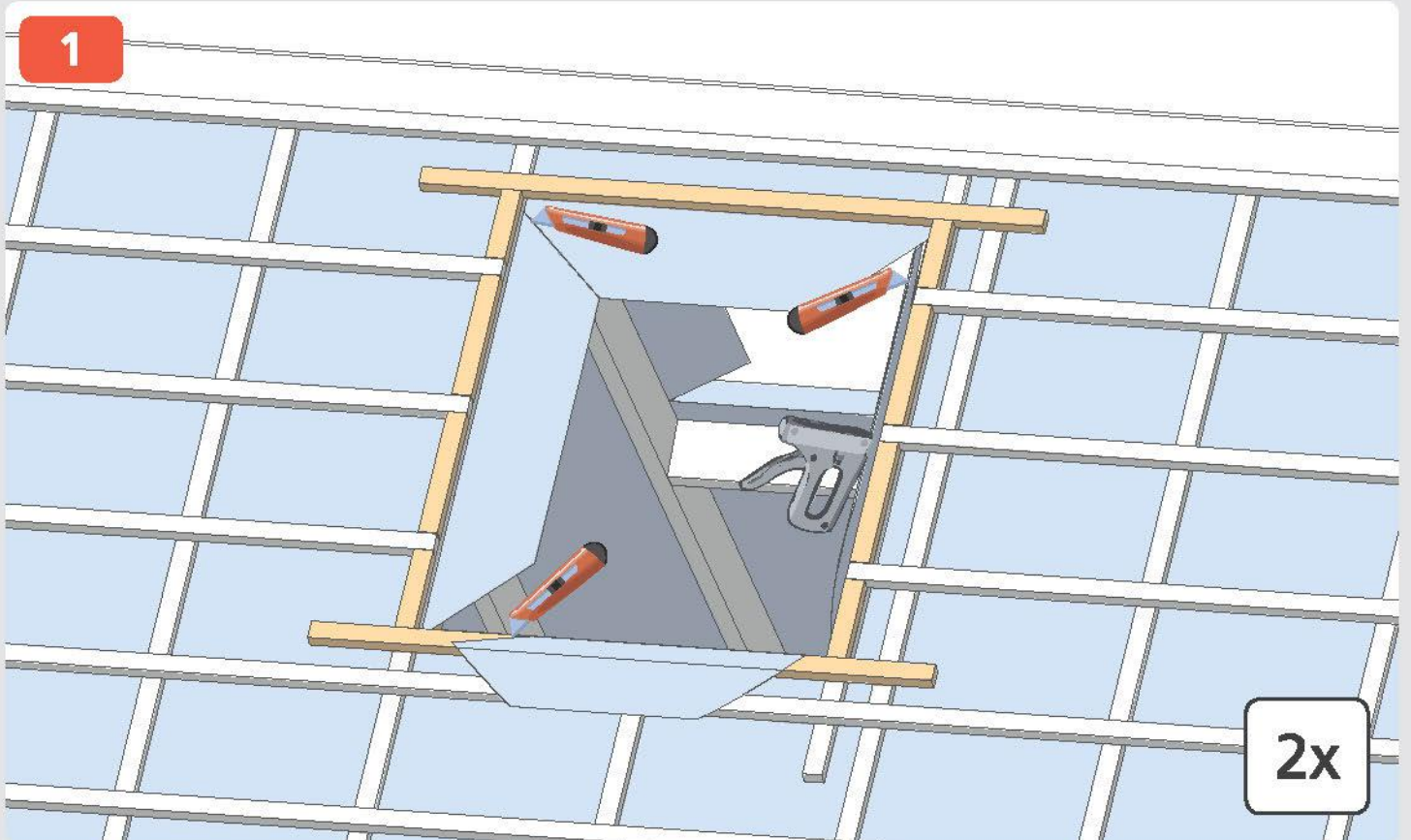
**!**  $Z = 120\text{mm}-140\text{mm}$



minimum $R$					
$A \backslash L$	780	980	1180	1400	1600
140°	80	80	80	80	80
130°	80	80	80	80	80
120°	80	80	80	80	80
110°	80	80	80	80	100
100°	80	80	80	120	140
90°	80	80	120	180	200
80°	80	120	180	260	
70°	100	180	260		
60°	140	260			



1

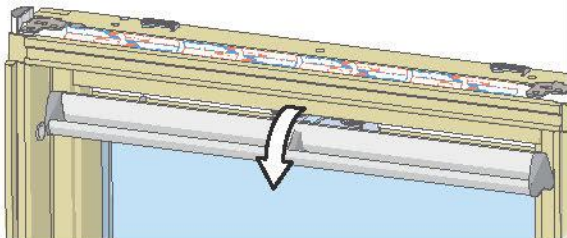


2x

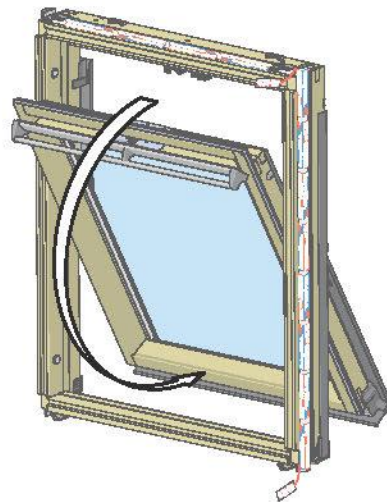
keylite.

3

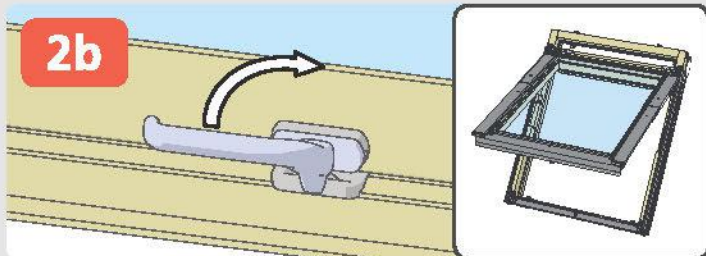
2a



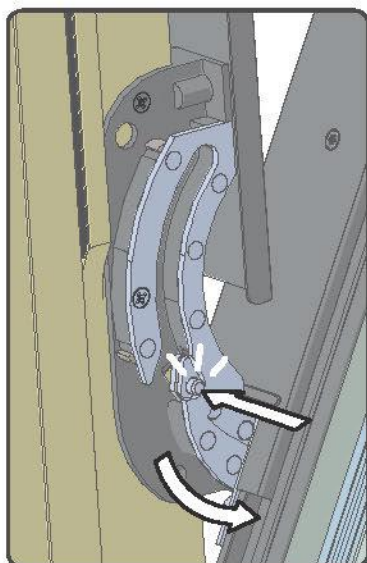
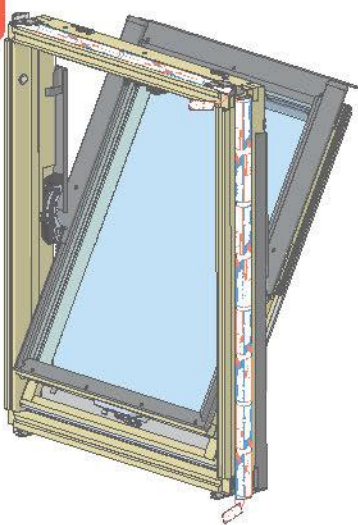
3



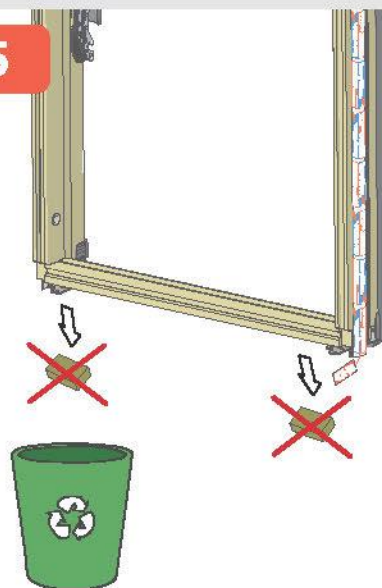
2b



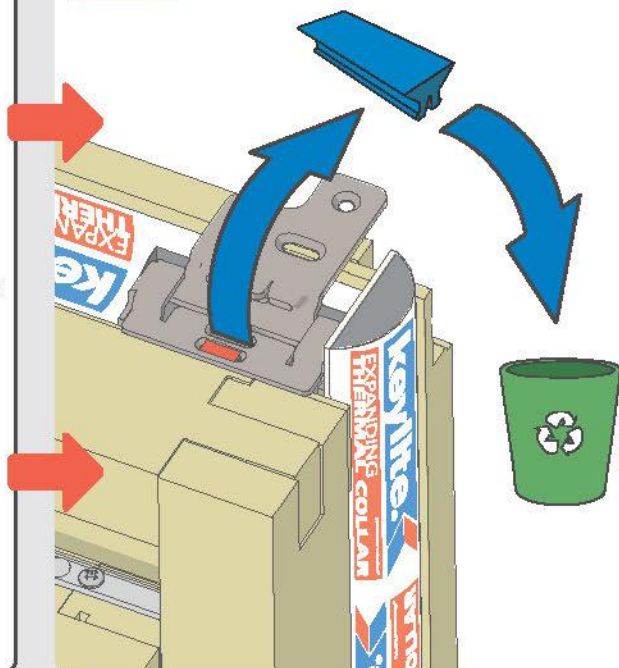
4



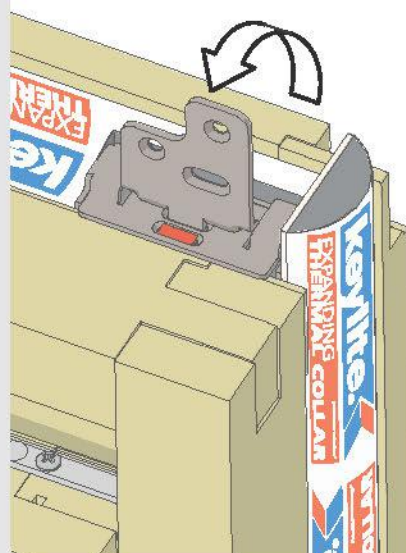
5



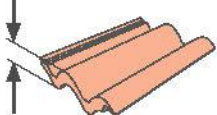
6



7



max 90mm

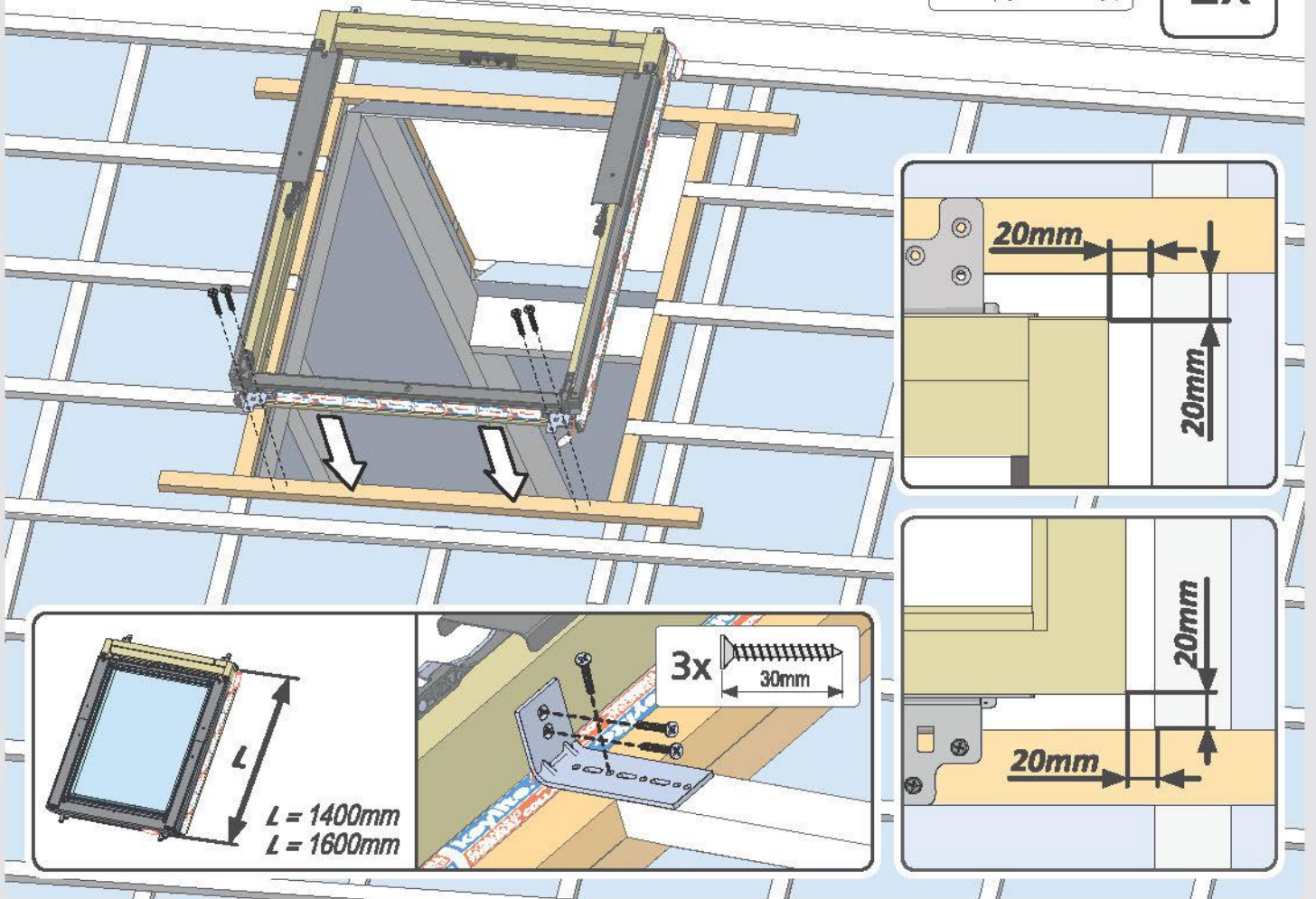


8

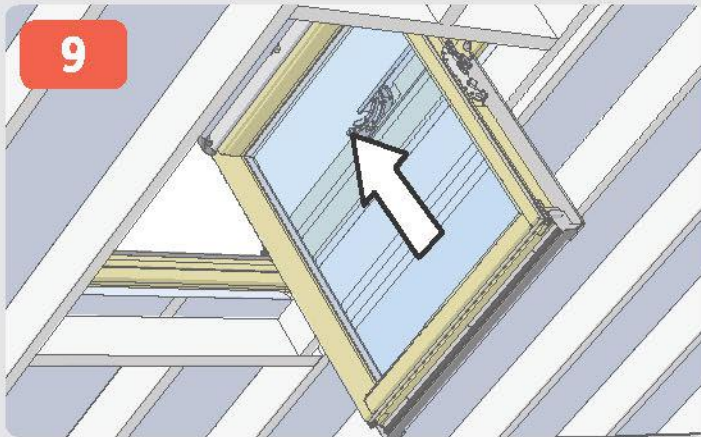
8x



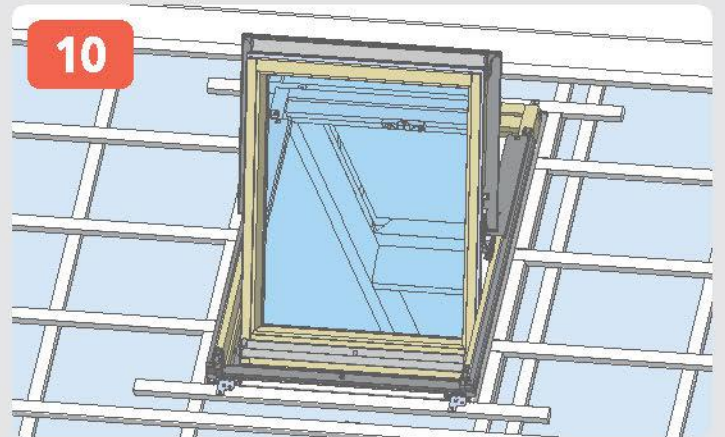
2x



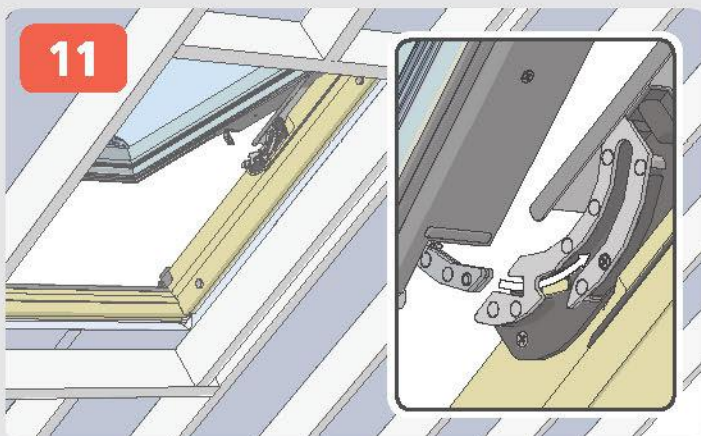
9



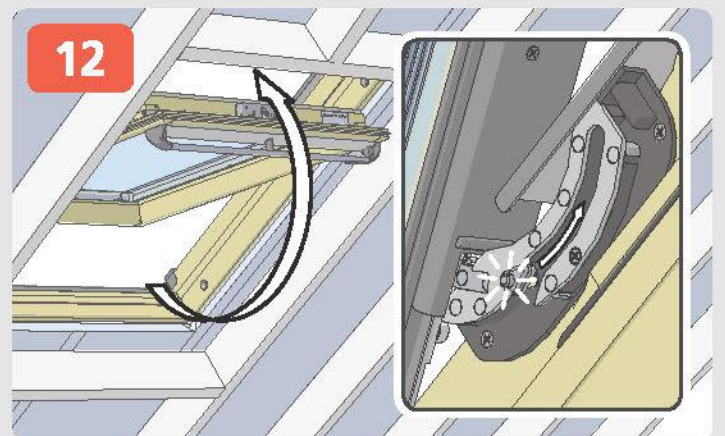
10

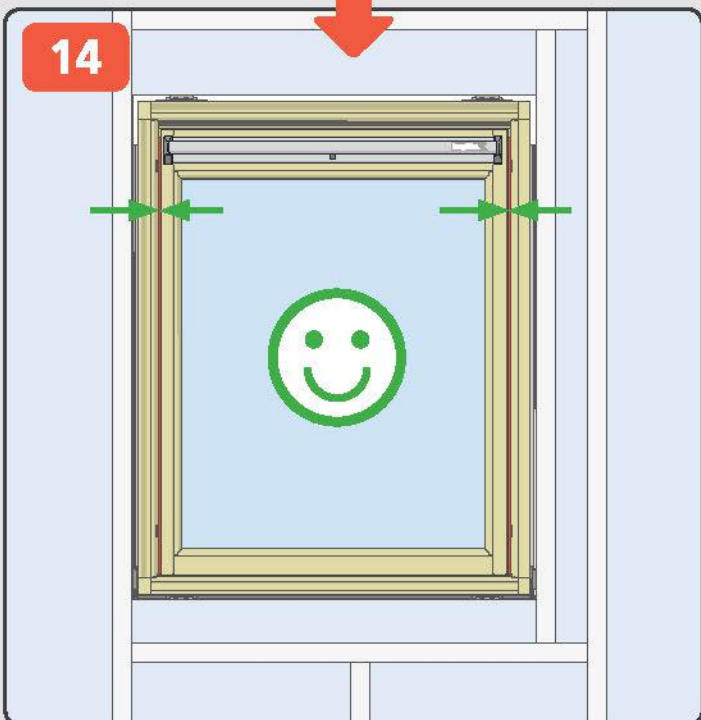
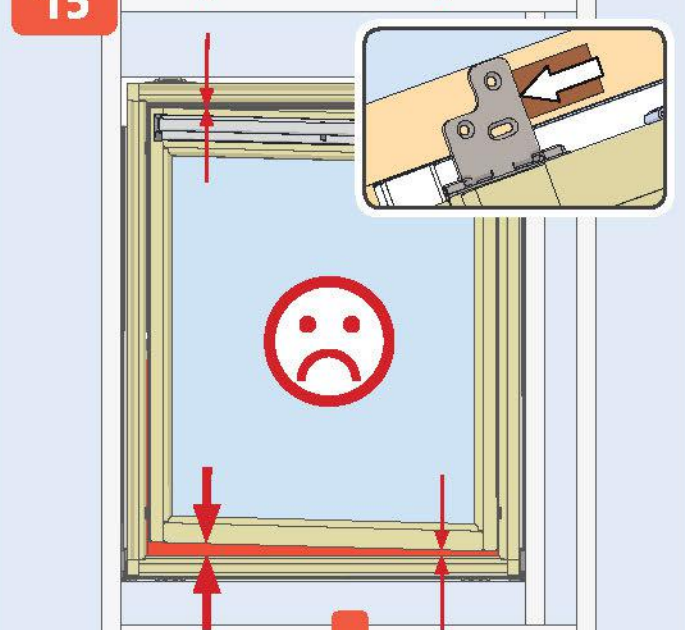
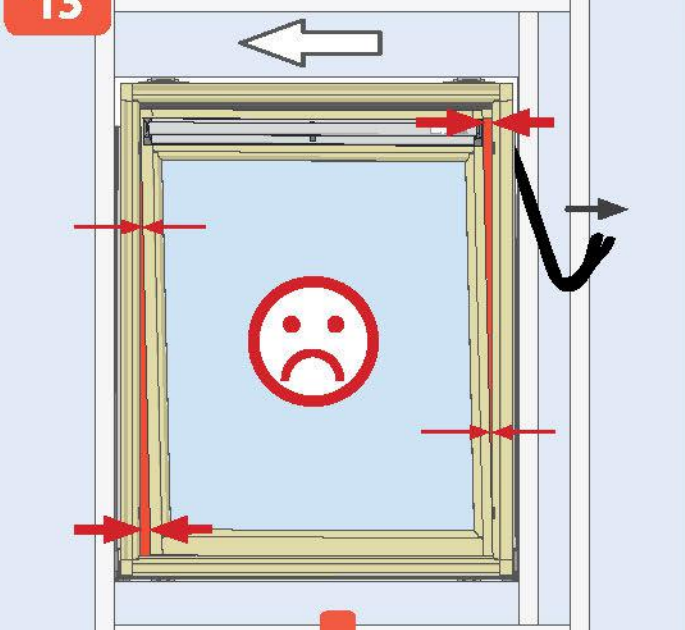
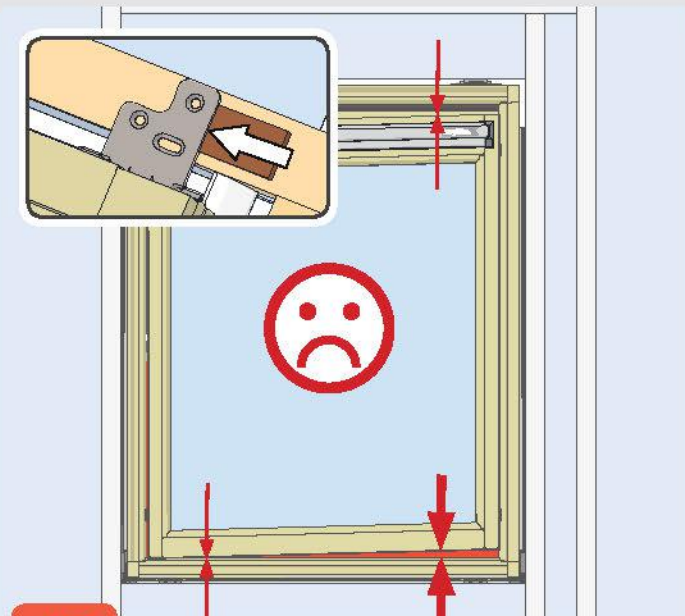
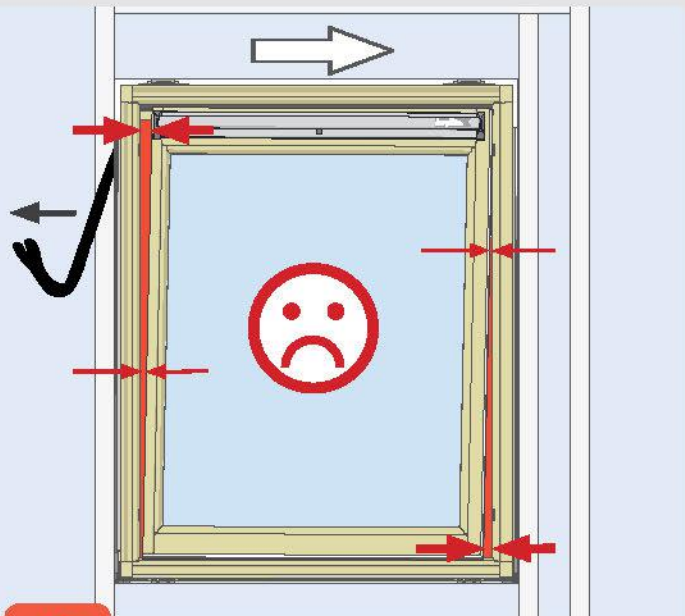


11




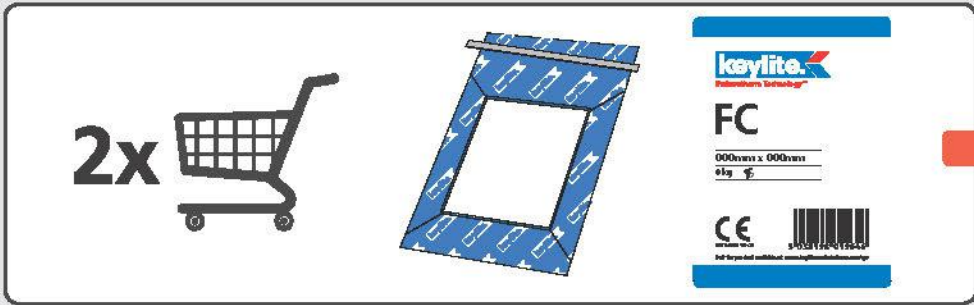
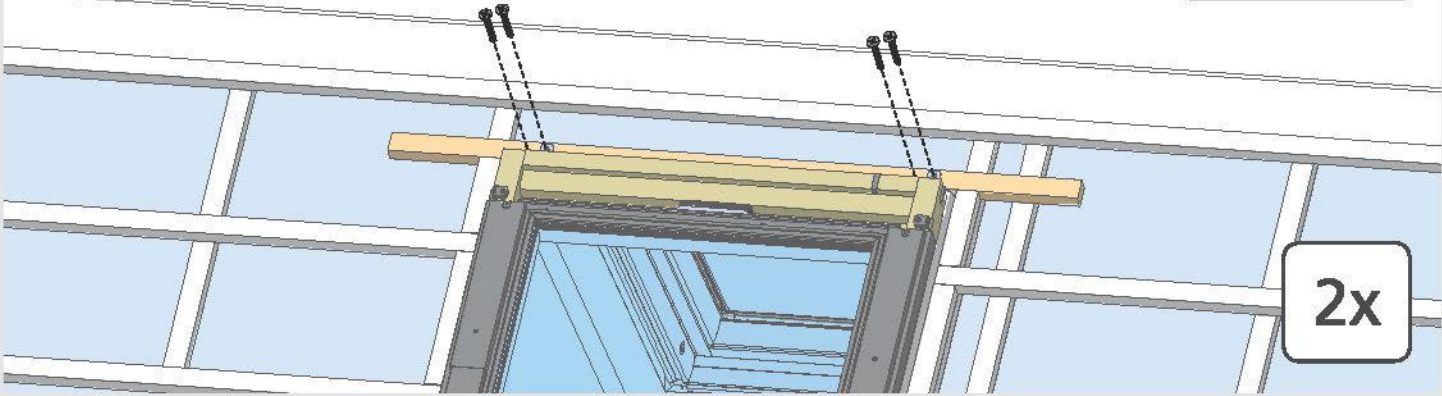
12



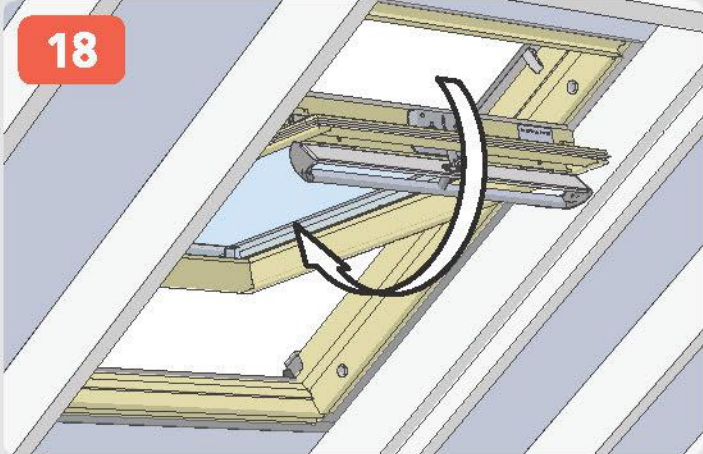


17

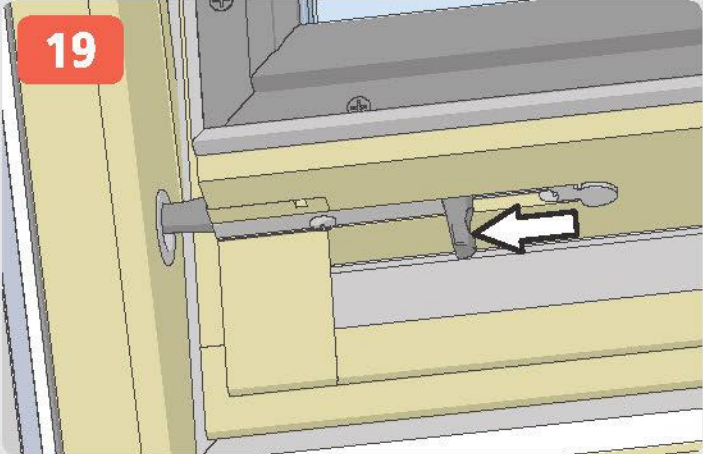
8x  30mm



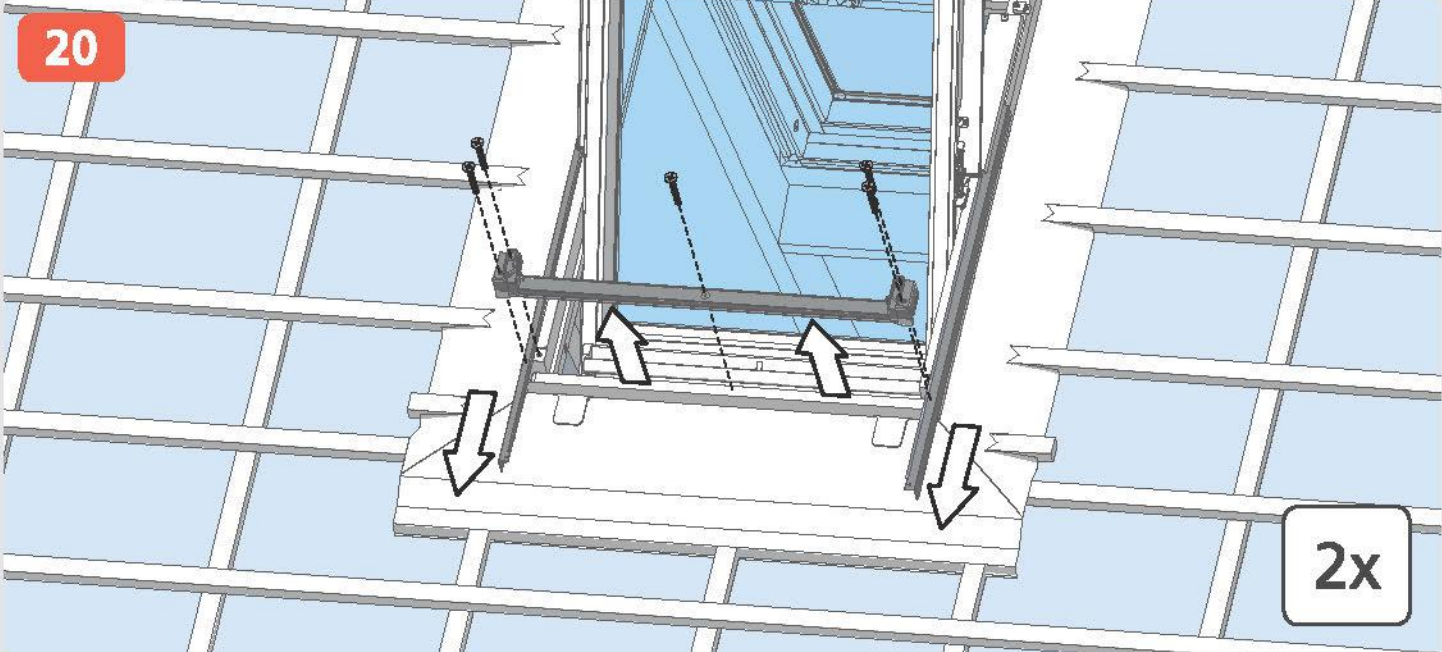
18

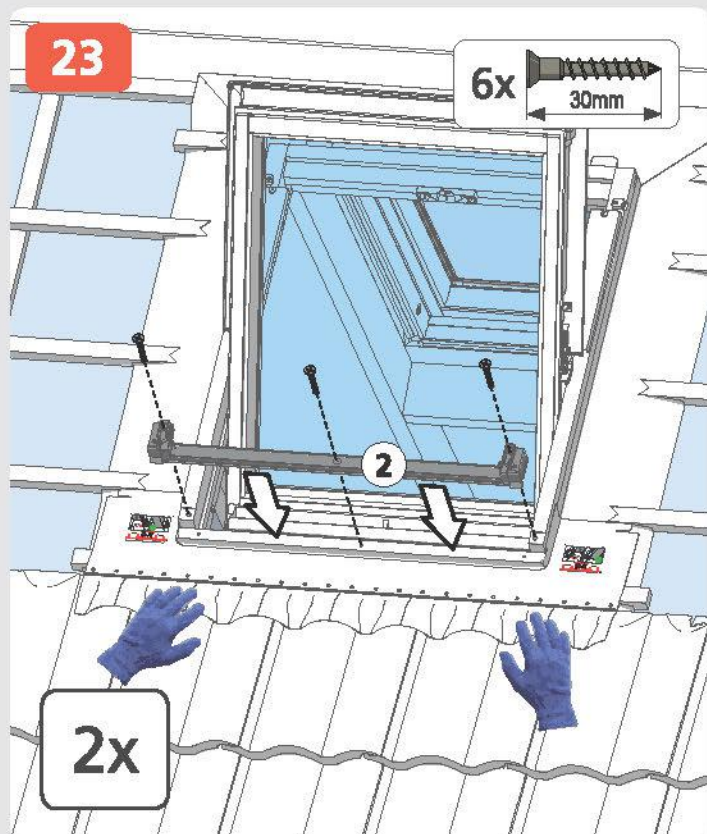
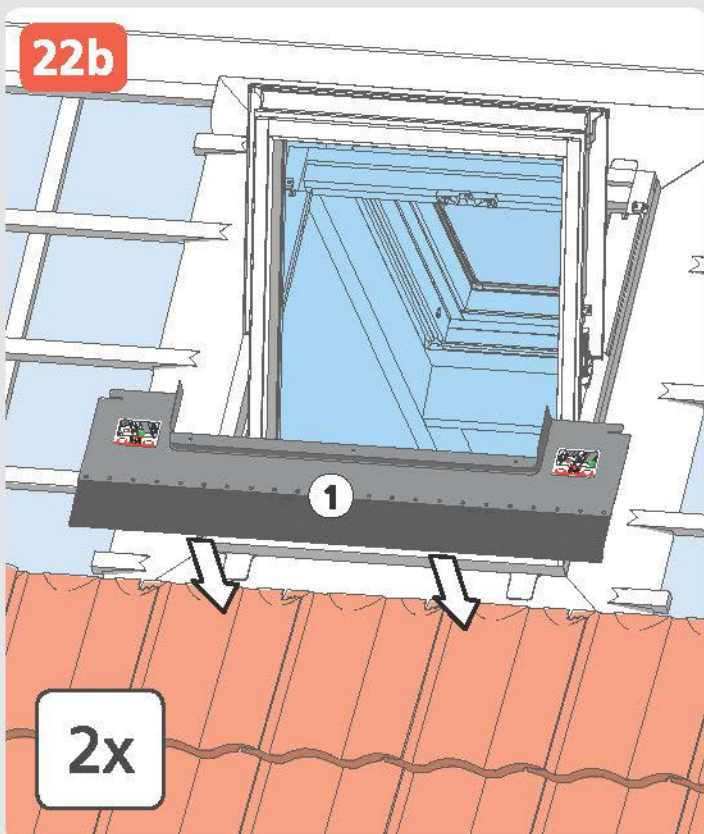
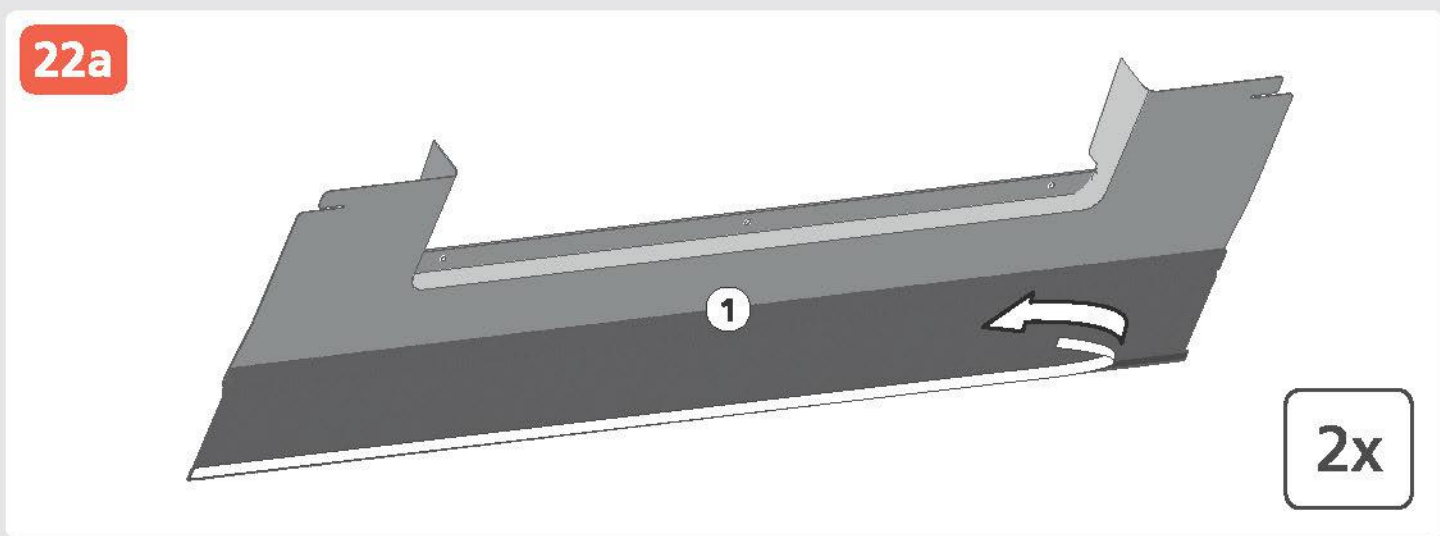
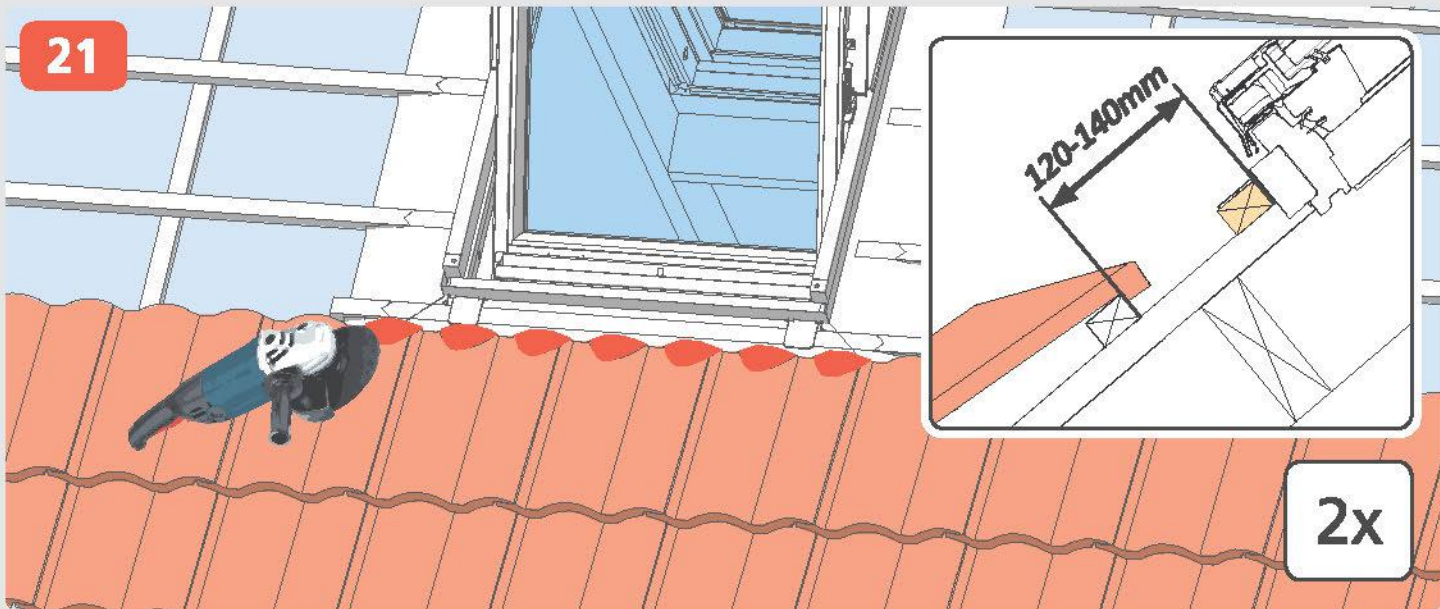


19



20

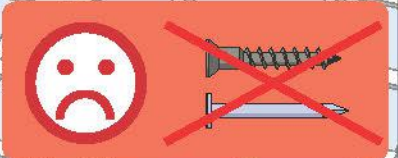
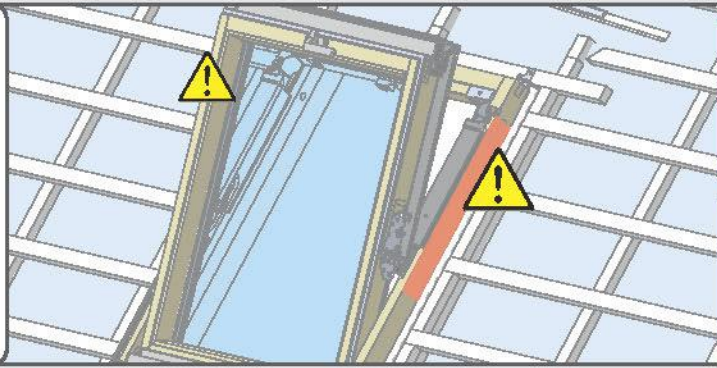




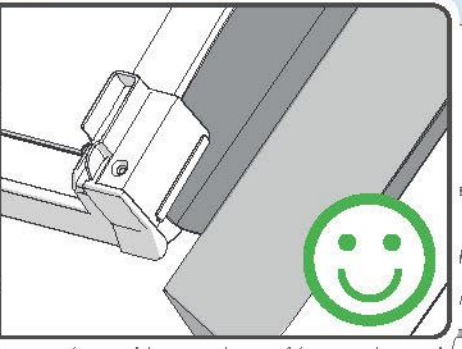
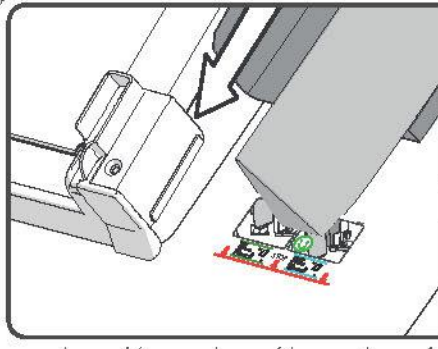
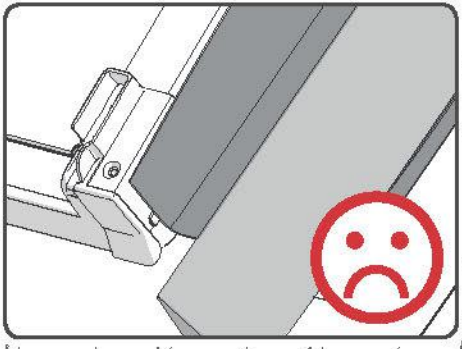
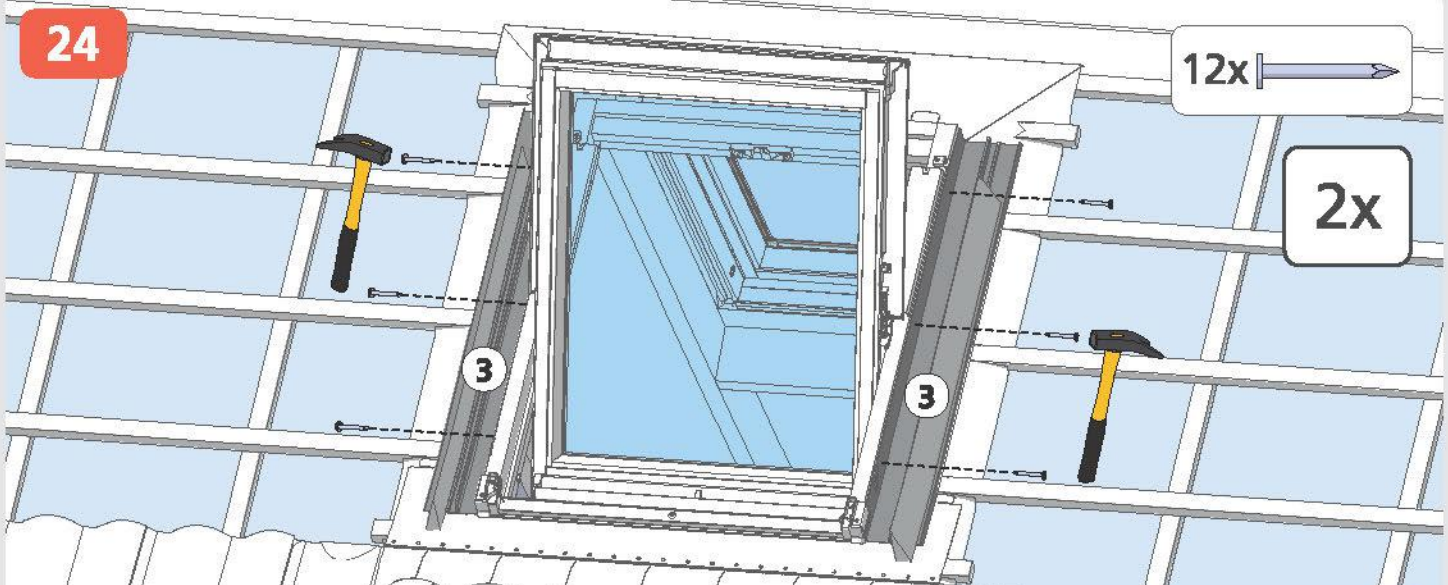




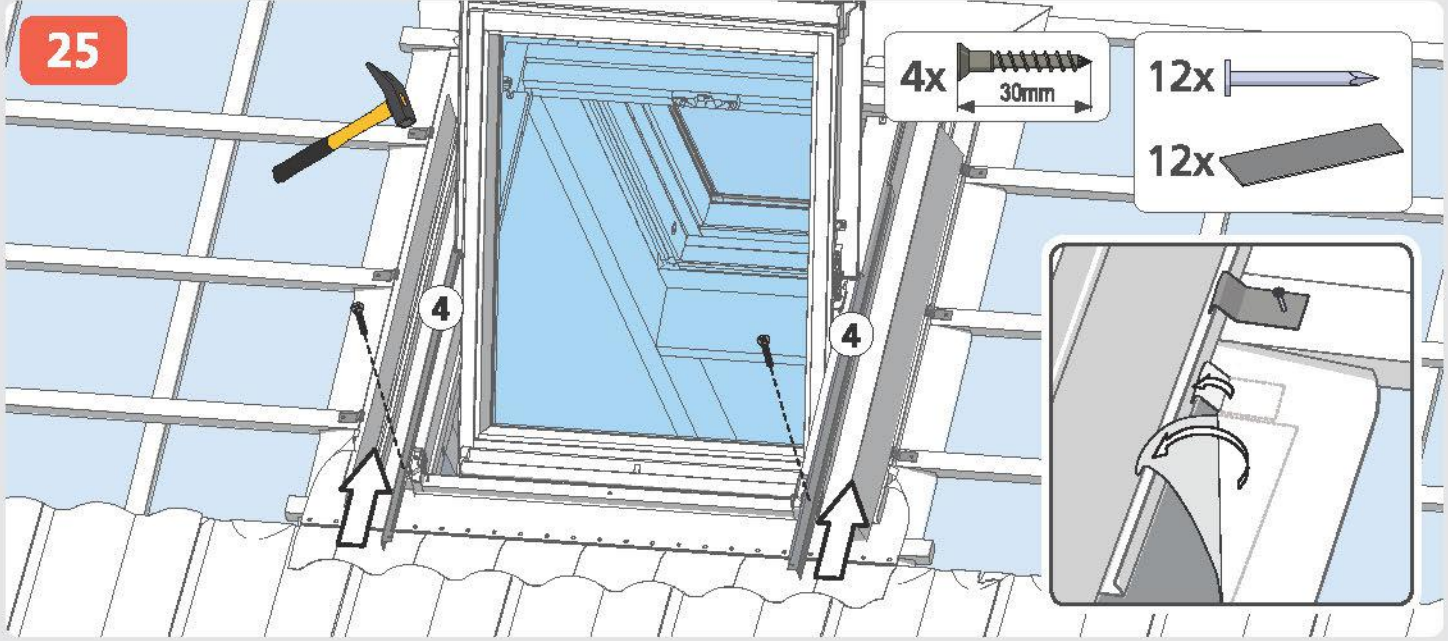
TH  
FE

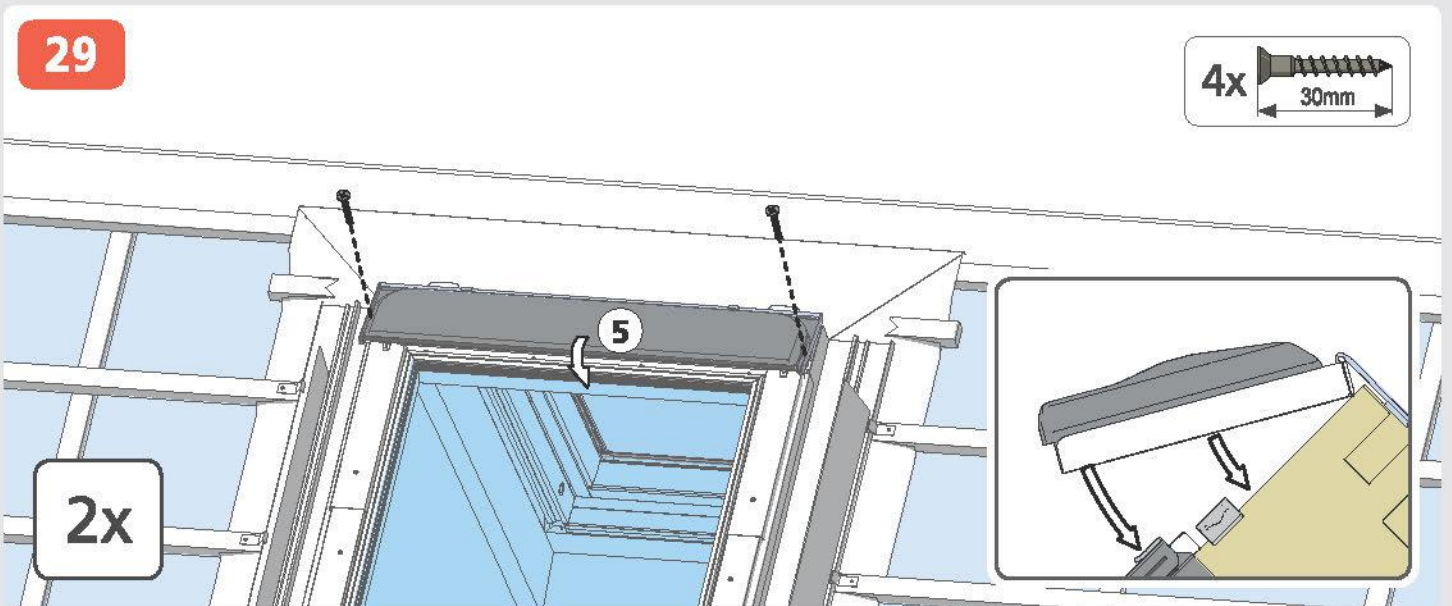
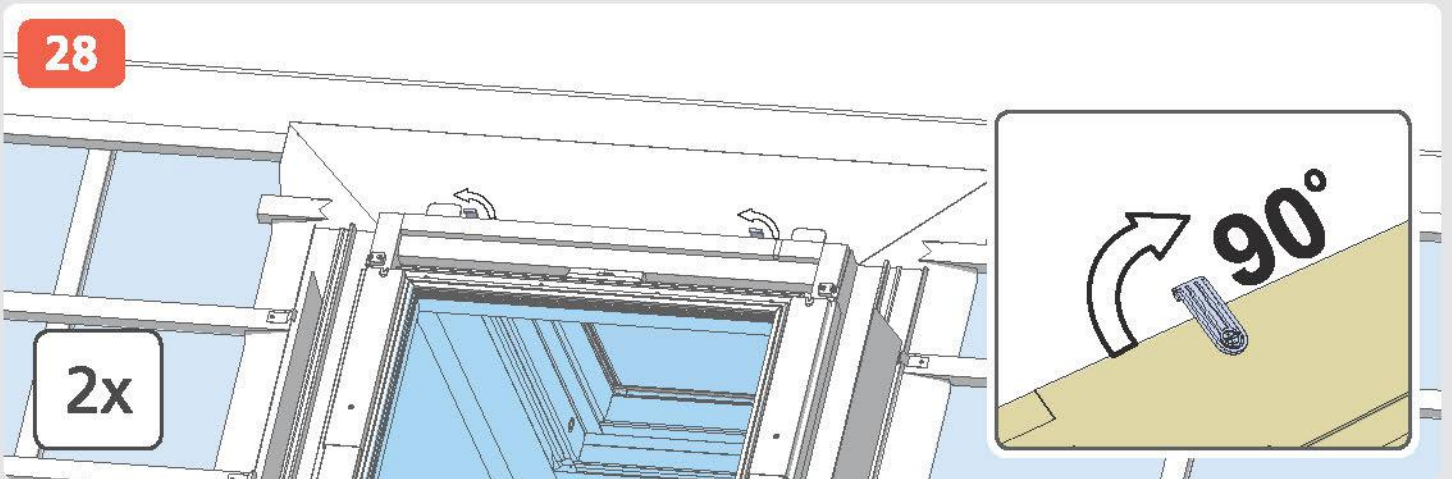
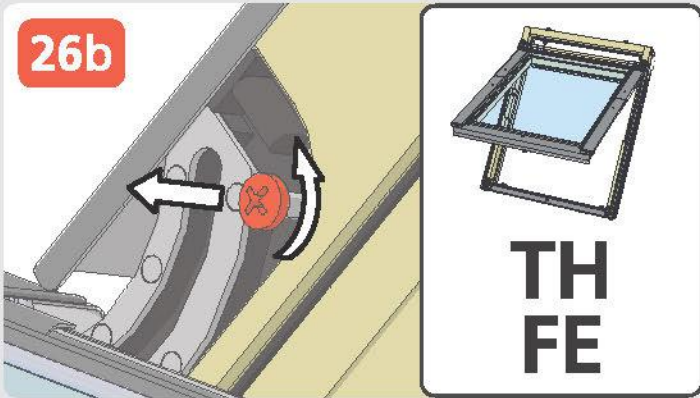
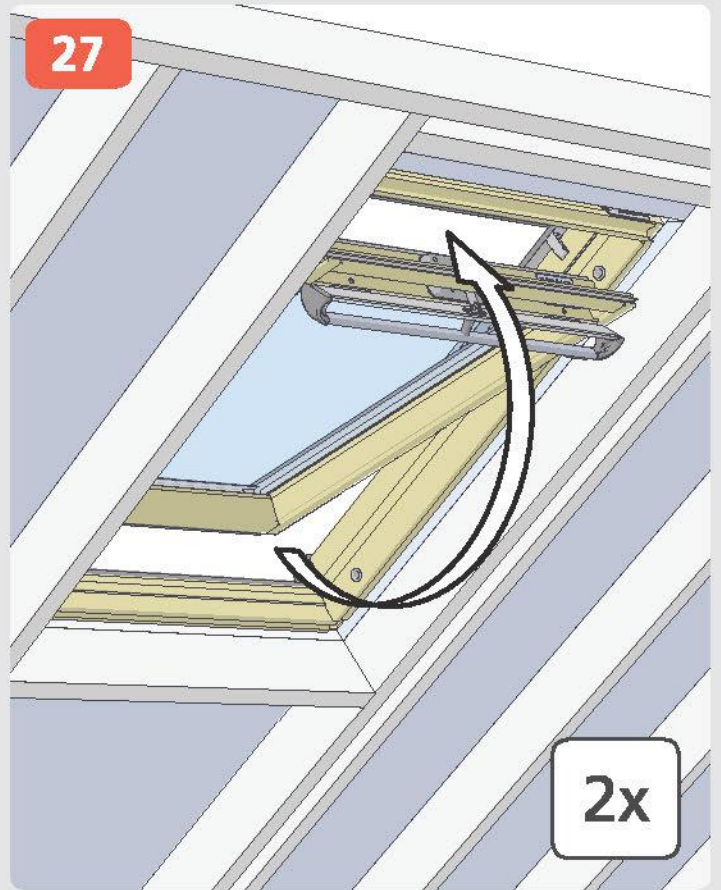
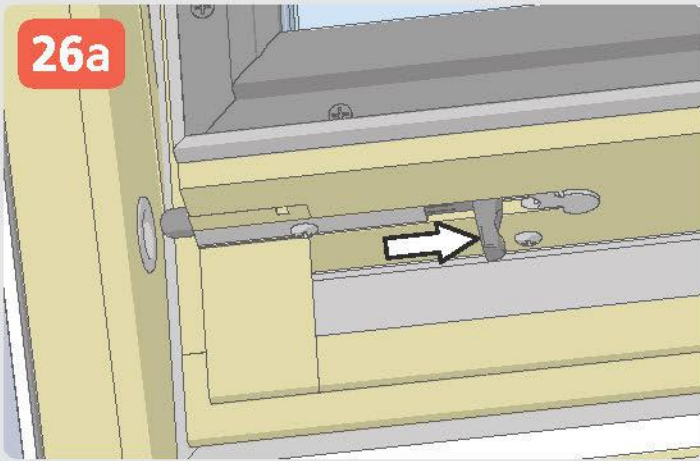


24




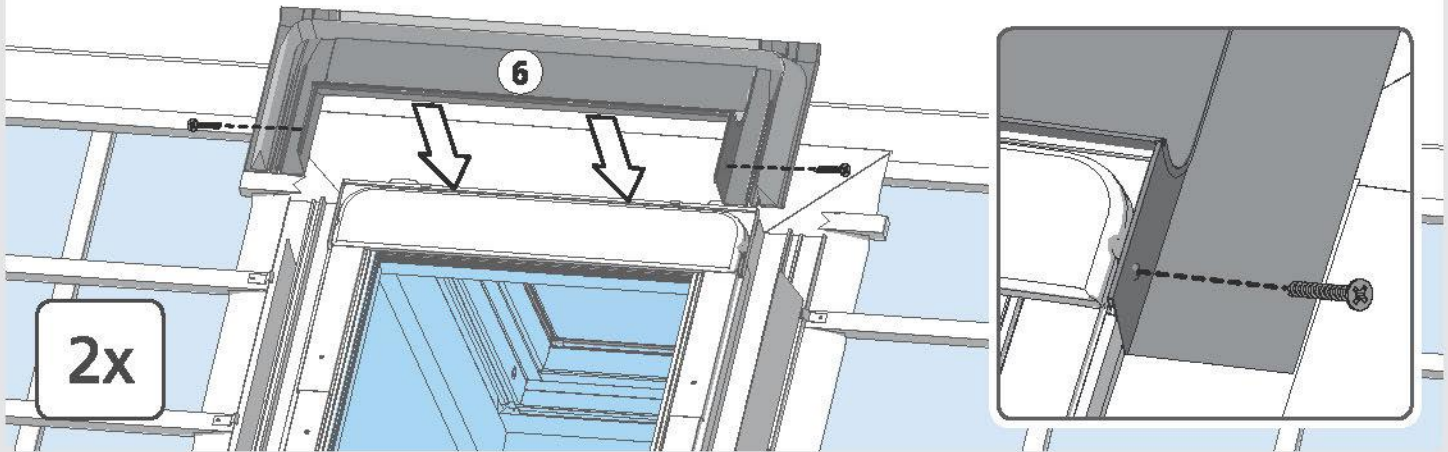
25



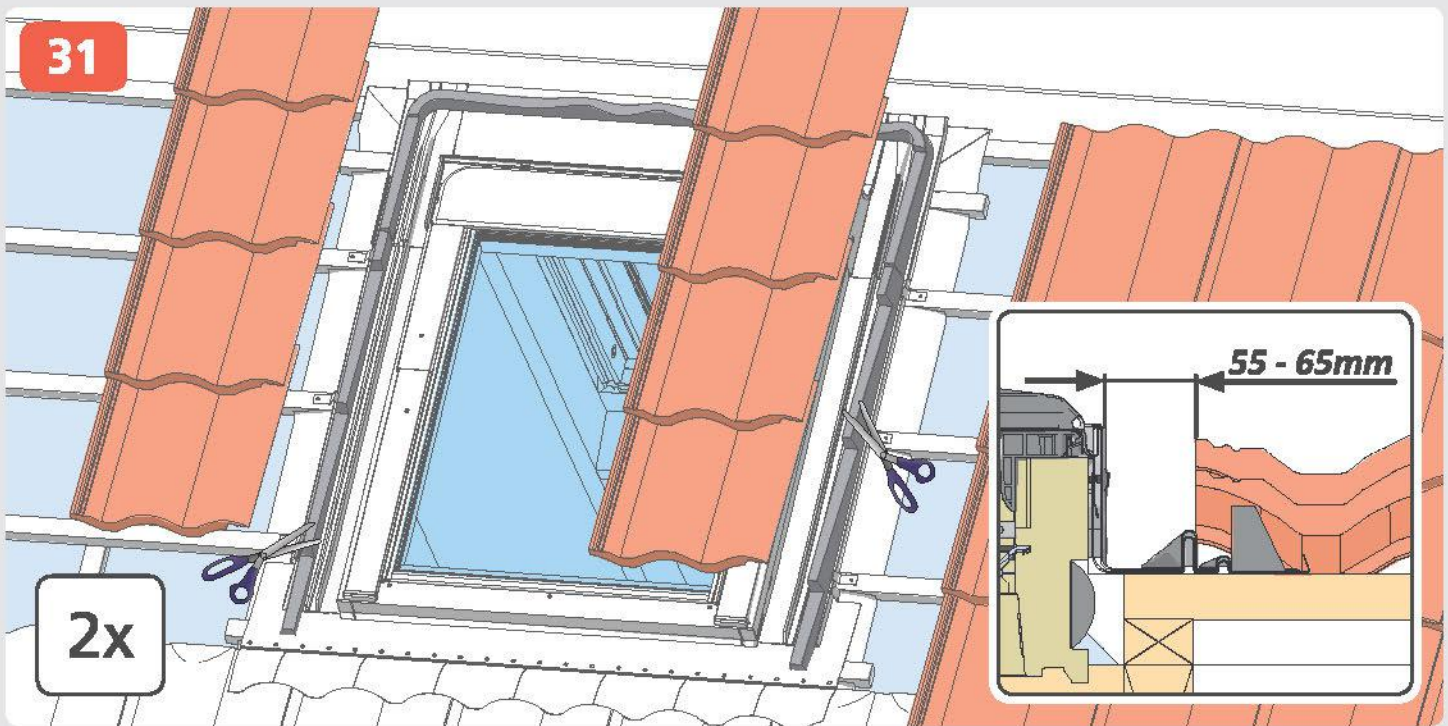


30

4x  30mm



31



32

